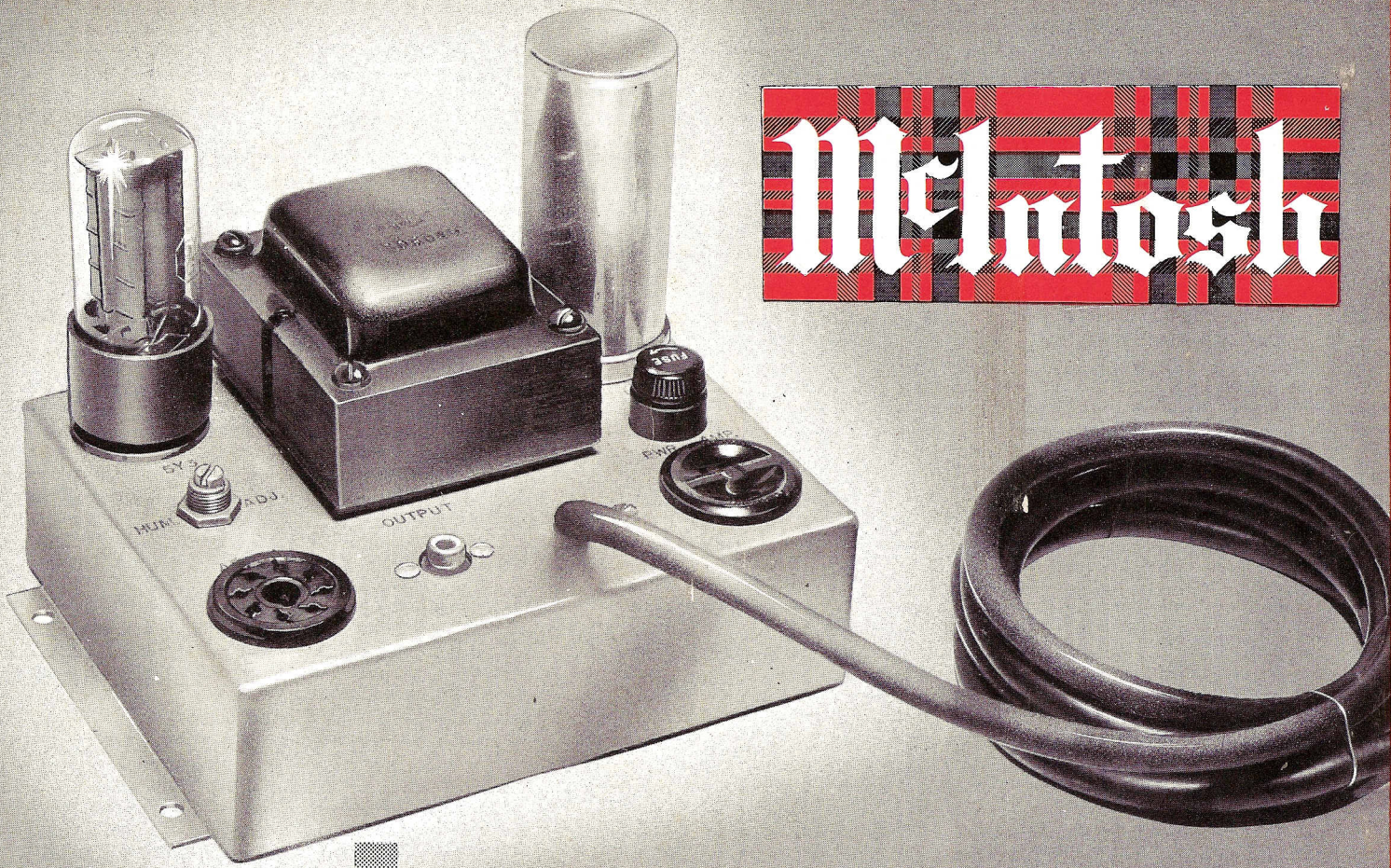


# McIntosh



## NEW!

### McIntosh

### D-101

### POWER

### SUPPLY

*for use with*

*McIntosh*

*pre-amplifier*

*equalizers*

The new McIntosh D-101 is a versatile power supply designed to be used:

1. Whenever a separate power supply is required to power the McIntosh Pre-amplifier Equalizer.
2. When the McIntosh Pre-amplifier Equalizer is to be operated as a remote control panel at a distance greater than 30 feet from the power amplifier.
3. Whenever a general purpose power supply is needed.

The power transformer and rectifier tube are capable of delivering DC current up to 40 milliamperes, and by properly modifying the filter circuit, the usefulness of the D-101 can be extended to this increased current rating.

The ripple frequency voltage output level from the D-101 is less than 800 microvolts, as shown in the schematic diagram.

The D-101 is fitted with a 110 volt receptacle and power plug so that its 110 volt supply can be integrated with a system having one off-on switch as shown in the wiring diagram on the reverse side of this sheet.

A mounting template is supplied with each unit.

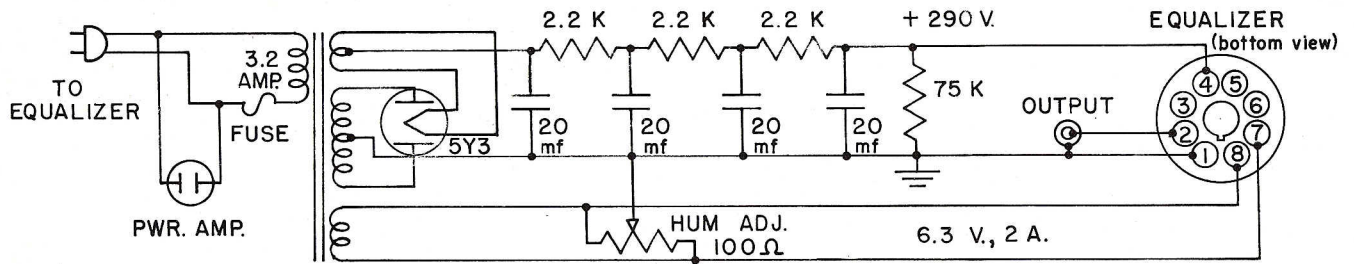
Connector cables, series J-107, are available to connect the equalizer output circuit from this power supply to the input circuit of the power amplifier. (See reverse side)

# McIntosh Laboratory, Inc.

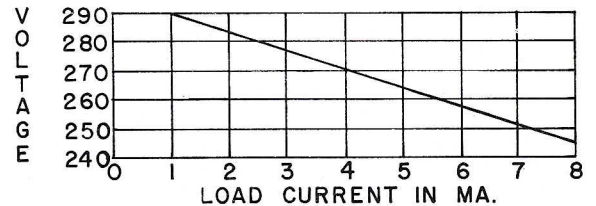
320 WATER ST.  
BINGHAMTON, N.Y.



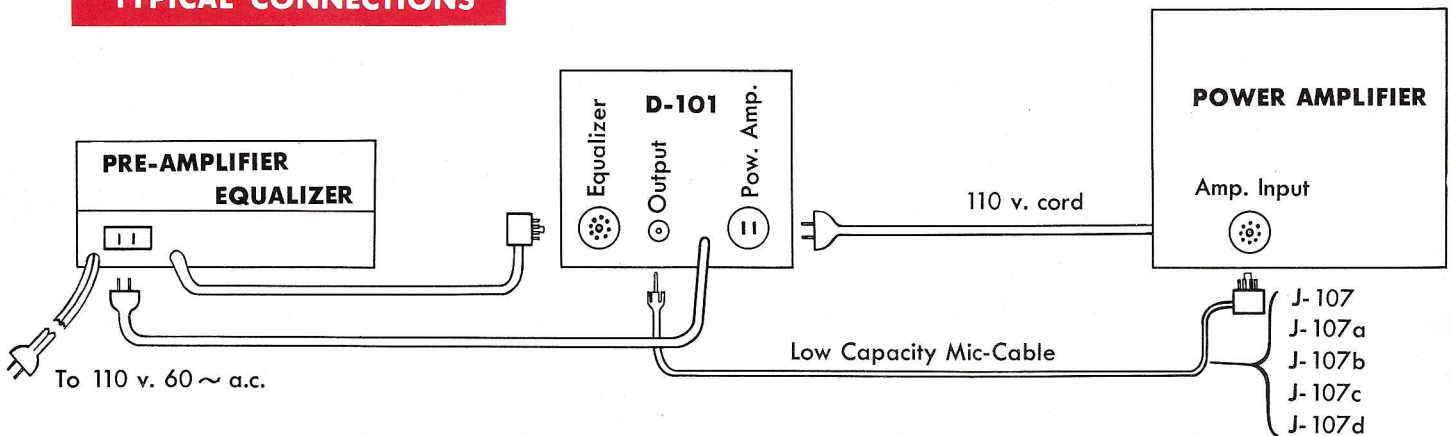
## SCHEMATIC



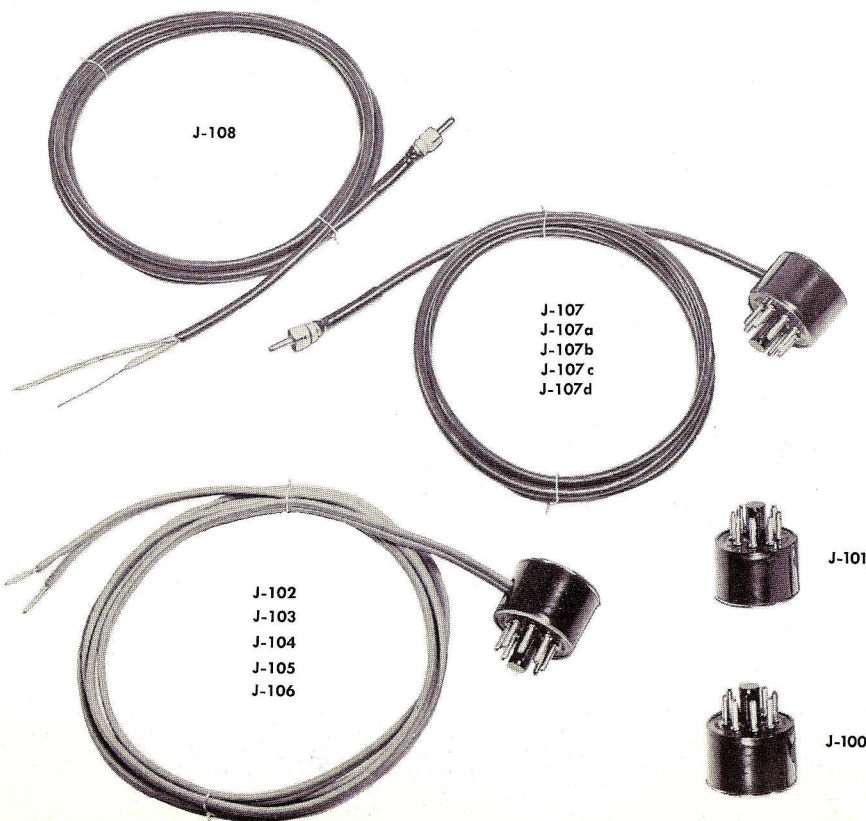
800 MICROVOLTS  
RIPPLE AT 8 MA.



## TYPICAL CONNECTIONS



## CONNECTOR CABLES & PLUGS



- J-100** —output plug
- J-101** —input plug
- J-102** —J-100 output plug and 6-foot length of zip cord, connected for 4 ohms output impedance from McIntosh power amplifiers.
- J-103** —Same as J-102, but connected for 8 ohms.
- J-104** —Same as J-102, but connected for 16 ohms.
- J-105** —Same as J-102, but connected for 32 ohms.
- J-106** —Same as J-102, but connected for 600 ohms.
- J-107** —J-101 input plug and 6 feet of 25 mmf. cap. per foot cable and phono pin jack.
- J-107a**—Same as J-107, but 12 ft. long.
- J-107b**—Same as J-107, but 18 ft. long.
- J-107c**—Same as J-107, but 24 ft. long.
- J-107d**—Same as J-107, but 30 ft. long.
- J-108** —Phono pin jack and 6 feet of 25 mmf. cap. per ft. cable—shield and center conductor tinned ready for connection.